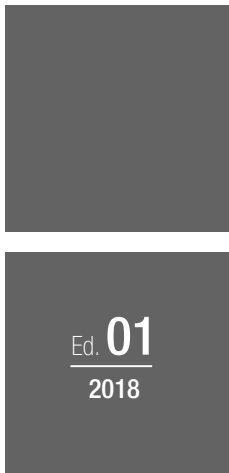




70 RT HP

Safety for any application

GEWISS



Ed. **01**
2018



70 RT HP

MAXIMUM PROTECTION

70 RT HP is a new range of **surface mounted rotary isolators** available with **plastic** or **metal boxes**, in versions from 16A to 160A, for control or emergency applications. The range includes distribution board options for front-panel or DIN rail assembly, in 16 to 63A options, all of which can be equipped with auxiliary contacts.

These devices have been designed to **reduce wiring time**, simplifying installation, and offer **maximum safety and durability**, even in the most demanding conditions. The innovative protection level - **up to IP69** against the ingress of dust and water jets, means the 70 RT HP isolators range meet **the most demanding requirements**, even heavy-duty ones.

Applications:

- Air conditioning systems
- Lifts
- Ventilation and vacuum installations
- Industrial kitchens
- Technical rooms
- Industrial automation

PERFORMANCE

70 RT HP is one of the most high performance solutions on the market, thanks to the use of high-performance materials, exceptional protection up to IP66/IP67/IP69 and time saving wiring and assembly.

RELIABILITY

The rotary switch disconnecter is at the heart of the new product. In fact, this device offers a high degree of reliability when sectioning an electrical line/network, and has been designed to ensure optimal electrical performance, so even highly inductive motors can be moved under load (AC23A utilisation category).

SAFETY

70 RT HP features an improved, ergonomically-designed, robust switch which is ideal for heavy-duty applications. The innovative padlocking system, concealed within the switches, can only be operated using a tool, with space for up to 3 padlocks which can be locked in both ON and OFF positions (in the emergency version the switch can only be locked in the OFF position).

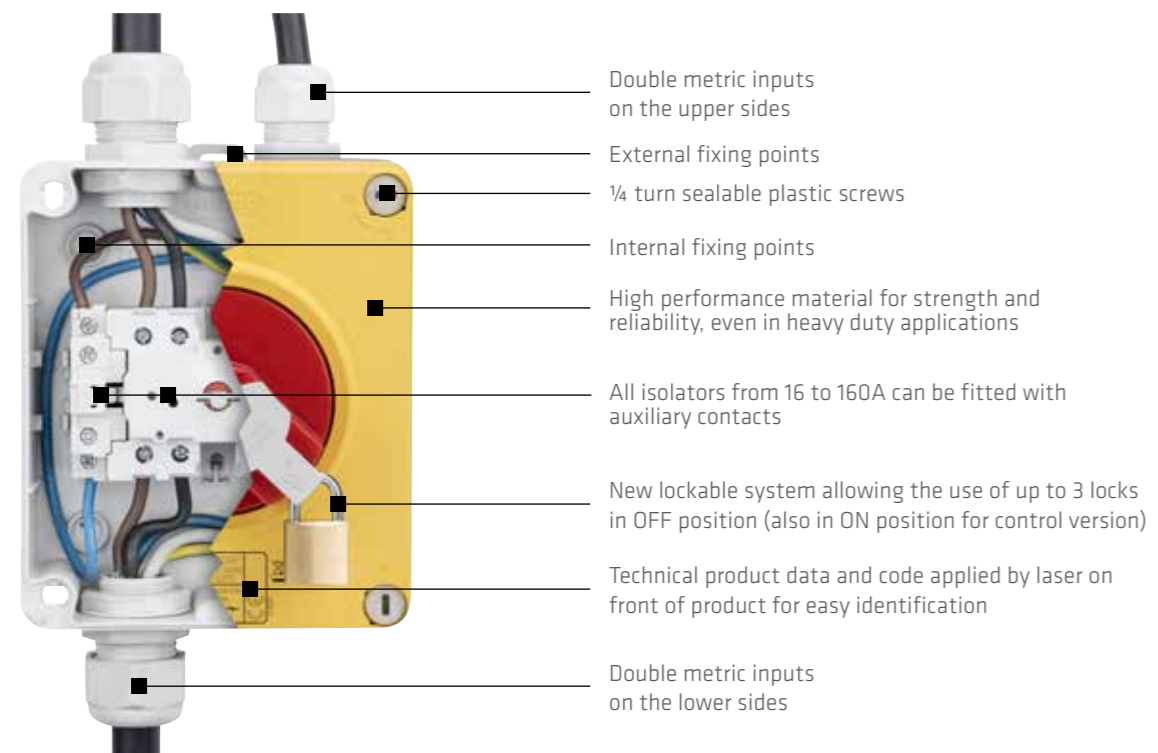
VERSATILITY

As well as surface-mounted versions, 70 RT HP is also available in a version for distribution boards: either front-panel installation or DIN rail assembly (EN50022). This means that the range is extremely flexible, as it can be installed in any of GEWISS' enclosures and distribution boards.



70 RT HP

With a modern and ergonomic design, combined with high impact resistance, UV protection, and protection against chemicals, means this range provides great performance and safety.





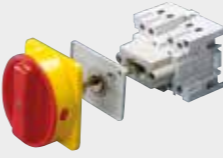





















Surface-mounted isolator in thermoplastic boxes: the main advantages

- **TOTAL PROTECTION:** These rotary switch isolators come in a thermoplastic box, and offer a degree of protection of IP66/IP67/IP69, thus ensuring that products are fully protected against dust and liquid, even with hot, high-pressure water jets, so they can be used in even the most demanding environments.
- **QUICK ASSEMBLY:** The plastic front of 70 RT HP closes with just four quarter-turn captive screws; a simple, innovative system to secure or remove the front much more quickly than any other system available on the market.
- **VERSATILE AND INNOVATIVE:** A host of technical solutions have been introduced with this new range, designed for easy installation: features such as the double metric inputs on the upper and lower sides, the external fixing points for surface mounting and plenty of internal space for cable wiring.

Surface-mounted isolator in metal boxes: the main advantages

- **ROBUST AND RELIABLE:** The metal box versions with protection up to IP66 are made in painted aluminium alloy, offering high levels of performance over time, even in the most critical and heavy-duty conditions.
- **READY FOR USE:** The metal box is pre-equipped with 4 external brackets for surface-mounting, maintaining the original IP rating even after installation. The bottom of all versions up to 80A are pre-drilled, ready to take metric cable glands.
- **ATEX VERSIONS:** The 70 RT HP range with metal box is completed with the addition of surface-mounted rotary isolators in an ATEX version from 16A to 100A, compliant with Directive 94/9/EC (which defines and regulates electrical systems in environments with potentially explosive atmospheres). The products in the range are available for 22D zones – enhancing our ATEX solutions, which include control devices, junction boxes and lighting equipment.

In	POLES	ISOLATORS - 70 RT HP RANGE				ISOLATORS - 70 RT HP RANGE			ISOLATORS - 70 RT HP ATEX RANGE			
		VERSION: SURFACE-MOUNTING IN PLASTIC BOX		VERSION: SURFACE-MOUNTING IN METAL BOX		Panel/door mounting*	VERSION: FOR BOARD DIN rail mounting	AUXILIARY CONTACTS			VERSION: SURFACE-MOUNTING IN METAL BOX	
		CONTROL	EMERGENCY	CONTROL	EMERGENCY			1NO + 1NC	2NO	2NC	CONTROL	EMERGENCY
		 Dim: 125 x 150 x 75,5 mm	 Dim: 125 x 150 x 75,5 mm	 Dim: 140 x 165 x 64 mm	 Dim: 140 x 165 x 64 mm				 Dim: 140 x 165 x 63 mm	 Dim: 140 x 165 x 63 mm		
16A	2P	GW 70 401 P	GW 70 431 P	GW 70 401 M	GW 70 431 M	GW 70 001	GW 70 201	GW 70 026	GW 70 027	GW 70 028	GW 70 451	GW 70 471
	3P	GW 70 402 P	GW 70 432 P	GW 70 402 M	GW 70 432 M	GW 70 002	GW 70 202				GW 70 452	GW 70 472
	3P+N	GW 70 402 NP	GW 70 432 NP	GW 70 402 NM	GW 70 432 NM						GW 70 453	GW 70 473
	4P	GW 70 403 P	GW 70 433 P	GW 70 403 M	GW 70 433 M	GW 70 003	GW 70 203					
25A	2P	GW 70 416 P	GW 70 486 P	GW 70 416 M	GW 70 486 M							
	3P	GW 70 417 P	GW 70 487 P	GW 70 417 M	GW 70 487 M							
	3P+N	GW 70 417 NP	GW 70 487 NP	GW 70 417 NM	GW 70 487 NM							
	4P	GW 70 418 P	GW 70 488 P	GW 70 418 M	GW 70 488 M							
32A	2P	GW 70 404 P	GW 70 434 P	GW 70 404 M	GW 70 434 M	GW 70 004	GW 70 204				GW 70 454	GW 70 474
	3P	GW 70 405 P	GW 70 435 P	GW 70 405 M	GW 70 435 M	GW 70 005	GW 70 205				GW 70 455	GW 70 475
	3P+N	GW 70 405 NP	GW 70 435 NP	GW 70 405 NM	GW 70 435 NM						GW 70 456	GW 70 476
	4P	GW 70 406 P	GW 70 436 P	GW 70 406 M	GW 70 436 M	GW 70 006	GW 70 206					
40A	2P	GW 70 413 P	GW 70 441 P	GW 70 413 M	GW 70 441 M							
	3P	GW 70 414 P	GW 70 442 P	GW 70 414 M	GW 70 442 M							
	3P+N	GW 70 414 NP	GW 70 442 NP	GW 70 414 NM	GW 70 442 NM							
	4P	GW 70 415 P	GW 70 443 P	GW 70 415 M	GW 70 443 M							
		 Dim: 156 x 200 x 95 mm	 Dim: 156 x 200 x 95 mm	 Dim: 215 x 252 x 91 mm	 Dim: 215 x 252 x 91 mm				 Dim: 215 x 252 x 91 mm	 Dim: 215 x 252 x 91 mm		
63A	3P	GW 70 407 P	GW 70 437 P	GW 70 407 M	GW 70 437 M	GW 70 007	GW 70 207	GW 70 026	GW 70 027	GW 70 028	GW 70 457	GW 70 477
	3P+N	GW 70 407 NP	GW 70 437 NP	GW 70 407 NM	GW 70 437 NM						GW 70 458	GW 70 478
	4P	GW 70 408 P	GW 70 438 P	GW 70 408 M	GW 70 438 M	GW 70 008	GW 70 208					
80A	3P	GW 70 419 P	GW 70 489 P	GW 70 419 M	GW 70 489 M							
	3P+N	GW 70 419 NP	GW 70 489 NP	GW 70 419 NM	GW 70 489 NM							
	4P	GW 70 420 P	GW 70 490 P	GW 70 420 M	GW 70 490 M							
		 Dim: 236,5 x 316 x 178 mm	 Dim: 236,5 x 316 x 178 mm	 Dim: 307 x 257 x 121 mm	 Dim: 307 x 257 x 121 mm				 Dim: 307 x 257 x 120 mm	 Dim: 307 x 257 x 120 mm		
100A	3P	GW 70 421 P	GW 70 491 P	GW 70 421 M	GW 70 491 M			GW 70 029			GW 70 459	GW 70 479
	3P+N	GW 70 421 NP	GW 70 491 NP	GW 70 421 NM	GW 70 491 NM						GW 70 460	GW 70 480
	4P	GW70422P	GW 70 492 P	GW 70 422 M	GW 70 492 M							
125A	3P	GW 70 423 P	GW 70 493 P	GW 70 423 M	GW 70 493 M							
	3P+N	GW 70 423 NP	GW 70 493 NP	GW 70 423 NM	GW 70 493 NM							
	4P	GW 70 424 P	GW 70 494 P	GW 70 424 M	GW 70 494 M							
160A	3P	GW 70 425 P	GW 70 495 P	GW 70 425 M	GW 70 495 M							
	3P+N	GW 70 425 NP	GW 70 495 NP	GW 70 425 NM	GW 70 495 NM							
	4P	GW 70 426 P	GW 70 496 P	GW 70 426 M	GW 70 496 M							

(*) Versions for panel/door mounting can be accessorized with galvanized steel extending brackets GW 70 009.

NOTE: the dimensions showed above refer to the external dimensions of the boxes without considering the knob.

70 RT HP - SURFACE MOUNTING ROTARY ISOLATOR IN ISOLATING BOX - IP66/IP67/69

CONTROL VERSIONS



GW 70 406 P

SURFACE-MOUNTING ISOLATOR - CONTROL VERSION WITH LOCKABLE BLACK KNOB - IP66/IP67/IP69

Code	No. of poles	Outer dim. LxHxD (mm)	Holes entry	Lid screws (no. and type)	Pack Carton
Rated current (A): 16					
GW 70 401 P	2P	125x150x75,5	2 x M20/25 + 2 x M20/25	4 insul. a 1/4 turn	1/16
GW 70 402 P	3P	125x150x75,5	2 x M20/25 + 2 x M20/25	4 insul. a 1/4 turn	1/16
GW 70 402 NP	3P+N	125x150x75,5	2 x M20/25 + 2 x M20/25	4 insul. a 1/4 turn	1/16
GW 70 403 P	4P	125x150x75,5	2 x M20/25 + 2 x M20/25	4 insul. a 1/4 turn	1/16
Rated current (A): 25					
GW 70 416 P	2P	125x150x75,5	2 x M20/25 + 2 x M20/25	4 insul. a 1/4 turn	1/16
GW 70 417 P	3P	125x150x75,5	2 x M20/25 + 2 x M20/25	4 insul. a 1/4 turn	1/16
GW 70 417 NP	3P+N	125x150x75,5	2 x M20/25 + 2 x M20/25	4 insul. a 1/4 turn	1/16
GW 70 418 P	4P	125x150x75,5	2 x M20/25 + 2 x M20/25	4 insul. a 1/4 turn	1/16
Rated current (A): 32					
GW 70 404 P	2P	125x150x75,5	2 x M20/25 + 2 x M20/25	4 insul. a 1/4 turn	1/16
GW 70 405 P	3P	125x150x75,5	2 x M20/25 + 2 x M20/25	4 insul. a 1/4 turn	1/16
GW 70 405 NP	3P+N	125x150x75,5	2 x M20/25 + 2 x M20/25	4 insul. a 1/4 turn	1/16
GW 70 406 P	4P	125x150x75,5	2 x M20/25 + 2 x M20/25	4 insul. a 1/4 turn	1/16
Rated current (A): 40					
GW 70 413 P	2P	125x150x75,5	2 x M20/25 + 2 x M20/25	4 insul. a 1/4 turn	1/16
GW 70 414 P	3P	125x150x75,5	2 x M20/25 + 2 x M20/25	4 insul. a 1/4 turn	1/16
GW 70 414 NP	3P+N	125x150x75,5	2 x M20/25 + 2 x M20/25	4 insul. a 1/4 turn	1/16
GW 70 415 P	4P	125x150x75,5	2 x M20/25 + 2 x M20/25	4 insul. a 1/4 turn	1/16
Rated current (A): 63					
GW 70 407 P	3P	156x200x95	2 x M25/32 + 2 x M25/32	4 insul. a 1/4 turn	1/6
GW 70 407 NP	3P+N	156x200x95	2 x M25/32 + 2 x M25/32	4 insul. a 1/4 turn	1/6
GW 70 408 P	4P	156x200x95	2 x M25/32 + 2 x M25/32	4 insul. a 1/4 turn	1/6
Rated current (A): 80					
GW 70 419 P	3P	156x200x95	2 x M25/32 + 2 x M25/32	4 insul. a 1/4 turn	1/6
GW 70 419 NP	3P+N	156x200x95	2 x M25/32 + 2 x M25/32	4 insul. a 1/4 turn	1/6
GW 70 420 P	4P	156x200x95	2 x M25/32 + 2 x M25/32	4 insul. a 1/4 turn	1/6
Rated current (A): 100					
GW 70 421 P	3P	236,5x316x178		4 insulation	1
GW 70 421 NP	3P+N	236,5x316x178		4 insulation	1
GW 70 422 P	4P	236,5x316x178		4 insulation	1
Rated current (A): 125					
GW 70 423 P	3P	236,5x316x178		4 insulation	1
GW 70 423 NP	3P+N	236,5x316x178		4 insulation	1
GW 70 424 P	4P	236,5x316x178		4 insulation	1
Rated current (A): 160					
GW 70 425 P	3P	236,5x316x178		4 insulation	1
GW 70 425 NP	3P+N	236,5x316x178		4 insulation	1
GW 70 426 P	4P	236,5x316x178		4 insulation	1

NOTE: can be padlocked in ON and OFF position with max. 3 locks with diameter max. 8 mm.
 Versions 100-160A allow to install max. 2 x M63 cable glands.
 All Lid screws are sealable.

EMERGENCY VERSIONS



GW 70 436 P

SURFACE-MOUNTING ISOLATOR - EMERGENCY VERSION WITH LOCKABLE RED KNOB - IP66/IP67/IP69

Code	No. of poles	Outer dim. LxHxD (mm)	Holes entry	Lid screws (no. and type)	Pack Carton
Rated current (A): 16					
GW 70 431 P	2P	125x150x75,5	2 x M20/25 + 2 x M20/25	4 insul. a 1/4 turn	1/16
GW 70 432 P	3P	125x150x75,5	2 x M20/25 + 2 x M20/25	4 insul. a 1/4 turn	1/16
GW 70 432 NP	3P+N	125x150x75,5	2 x M20/25 + 2 x M20/25	4 insul. a 1/4 turn	1/16
GW 70 433 P	4P	125x150x75,5	2 x M20/25 + 2 x M20/25	4 insul. a 1/4 turn	1/16
Rated current (A): 25					
GW 70 486 P	2P	125x150x75,5	2 x M20/25 + 2 x M20/25	4 insul. a 1/4 turn	1/16
GW 70 487 P	3P	125x150x75,5	2 x M20/25 + 2 x M20/25	4 insul. a 1/4 turn	1/16
GW 70 487 NP	3P+N	125x150x75,5	2 x M20/25 + 2 x M20/25	4 insul. a 1/4 turn	1/16
GW 70 488 P	4P	125x150x75,5	2 x M20/25 + 2 x M20/25	4 insul. a 1/4 turn	1/16
Rated current (A): 32					
GW 70 434 P	2P	125x150x75,5	2 x M20/25 + 2 x M20/25	4 insul. a 1/4 turn	1/16
GW 70 435 P	3P	125x150x75,5	2 x M20/25 + 2 x M20/25	4 insul. a 1/4 turn	1/16
GW 70 435 NP	3P+N	125x150x75,5	2 x M20/25 + 2 x M20/25	4 insul. a 1/4 turn	1/16
GW 70 436 P	4P	125x150x75,5	2 x M20/25 + 2 x M20/25	4 insul. a 1/4 turn	1/16
Rated current (A): 40					
GW 70 441 P	2P	125x150x75,5	2 x M20/25 + 2 x M20/25	4 insul. a 1/4 turn	1/16
GW 70 442 P	3P	125x150x75,5	2 x M20/25 + 2 x M20/25	4 insul. a 1/4 turn	1/16
GW 70 442 NP	3P+N	125x150x75,5	2 x M20/25 + 2 x M20/25	4 insul. a 1/4 turn	1/16
GW 70 443 P	4P	125x150x75,5	2 x M20/25 + 2 x M20/25	4 insul. a 1/4 turn	1/16
Rated current (A): 63					
GW 70 437 P	3P	156x200x95	2 x M25/32 + 2 x M25/32	4 insul. a 1/4 turn	1/6
GW 70 437 NP	3P+N	156x200x95	2 x M25/32 + 2 x M25/32	4 insul. a 1/4 turn	1/6
GW 70 438 P	4P	156x200x95	2 x M25/32 + 2 x M25/32	4 insul. a 1/4 turn	1/6
Rated current (A): 80					
GW 70 489 P	3P	156x200x95	2 x M25/32 + 2 x M25/32	4 insul. a 1/4 turn	1/6
GW 70 489 NP	3P+N	156x200x95	2 x M25/32 + 2 x M25/32	4 insul. a 1/4 turn	1/6
GW 70 490 P	4P	156x200x95	2 x M25/32 + 2 x M25/32	4 insulation	1/6
Rated current (A): 100					
GW 70 491 P	3P	236,5x316x178		4 insulation	1
GW 70 491 NP	3P+N	236,5x316x178		4 insulation	1
GW 70 492 P	4P	236,5x316x178		4 insulation	1
Rated current (A): 125					
GW 70 493 P	3P	236,5x316x178		4 insulation	1
GW 70 493 NP	3P+N	236,5x316x178		4 insulation	1
GW 70 494 P	4P	236,5x316x178		4 insulation	1
Rated current (A): 160					
GW 70 495 P	3P	236,5x316x178		4 insulation	1
GW 70 495 NP	3P+N	236,5x316x178		4 insulation	1
GW 70 496 P	4P	236,5x316x178		4 insulation	1

NOTE: can be padlocked in OFF position with max. 3 locks with diameter max. 8 mm.
 Versions 100-160A allow to install max. 2 x M63 cable glands.
 All Lid screws are sealable.

70 RT HP - SURFACE-MOUNTING ROTARY ISOLATOR IN METAL BOX - IP66

CONTROL VERSIONS



GW 70 406 M

SURFACE-MOUNTING ISOLATOR - CONTROL VERSION WITH LOCKABLE BLACK/GREY KNOB - IP66

Code	No. of poles	Outer dim. LxHxD (mm)	Holes entry	Pack Carton
Rated current (A): 16				
GW 70 401 M	⊕ 2P	140x165x64	4xM20	1
GW 70 402 M	⊕ 3P	140x165x64	4xM20	1
GW 70 402 NM	⊕ 3P+N	140x165x64	4xM20	1
GW 70 403 M	⊕ 4P	140x165x64	4xM20	1
Rated current (A): 25				
GW 70 416 M	⊕ 2P	140x165x64	2 x M20 + 2 x M25	1
GW 70 417 M	⊕ 3P	140x165x64	2 x M20 + 2 x M25	1
GW 70 417 NM	⊕ 3P+N	140x165x64	2 x M20 + 2 x M25	1
GW 70 418 M	⊕ 4P	140x165x64	2 x M20 + 2 x M25	1
Rated current (A): 32				
GW 70 404 M	⊕ 2P	140x165x64	2 x M20 + 2 x M25	1
GW 70 405 M	⊕ 3P	140x165x64	2 x M20 + 2 x M25	1
GW 70 405 NM	⊕ 3P+N	140x165x64	2 x M20 + 2 x M25	1
GW 70 406 M	⊕ 4P	140x165x64	2 x M20 + 2 x M25	1
Rated current (A): 40				
GW 70 413 M	⊕ 2P	140x165x64	2 x M20 + 2 x M25	1
GW 70 414 M	⊕ 3P	140x165x64	2 x M20 + 2 x M25	1
GW 70 414 NM	⊕ 3P+N	140x165x64	2 x M20 + 2 x M25	1
GW 70 415 M	⊕ 4P	140x165x64	2 x M20 + 2 x M25	1
Rated current (A): 63				
GW 70 407 M	⊕ 3P	215x252x91	4xM32	1
GW 70 407 NM	⊕ 3P+N	215x252x91	4xM32	1
GW 70 408 M	⊕ 4P	215x252x91	4xM32	1
Rated current (A): 80				
GW 70 419 M	⊕ 3P	215x252x91	4xM32	1
GW 70 419 NM	⊕ 3P+N	215x252x91	4xM32	1
GW 70 420 M	⊕ 4P	215x252x91	4xM32	1
Rated current (A): 100				
GW 70 421 M	⊕ 3P	307x257x121		1
GW 70 421 NM	⊕ 3P+N	307x257x121		1
GW 70 422 M	⊕ 4P	307x257x121		1
Rated current (A): 125				
GW 70 423 M	⊕ 3P	307x257x121		1
GW 70 423 NM	⊕ 3P+N	307x257x121		1
GW 70 424 M	⊕ 4P	307x257x121		1
Rated current (A): 160				
GW 70 425 M	⊕ 3P	307x257x121		1
GW 70 425 NM	⊕ 3P+N	307x257x121		1
GW 70 426 M	⊕ 4P	307x257x121		1

NOTE: can be padlocked in ON and OFF position with max. 3 locks with diameter max. 8 mm.
Versions 100-160A allow to install max. 2 x M63 cable glands.

EMERGENCY VERSIONS



GW 70 436 M

SURFACE-MOUNTING ISOLATOR - EMERGENCY VERSION WITH LOCKABLE RED/YELLOW - IP66

Code	No. of poles	Outer dim. LxHxD (mm)	Holes entry	Pack Carton
Rated current (A): 16				
GW 70 431 M	⊕ 2P	140x165x64	4xM20	1
GW 70 432 M	⊕ 3P	140x165x64	4xM20	1
GW 70 432 NM	⊕ 3P+N	140x165x64	4xM20	1
GW 70 433 M	⊕ 4P	140x165x64	4xM20	1
Rated current (A): 25				
GW 70 486 M	⊕ 2P	140x165x64	2 x M20 + 2 x M25	1
GW 70 487 M	⊕ 3P	140x165x64	2 x M20 + 2 x M25	1
GW 70 487 NM	⊕ 3P+N	140x165x64	2 x M20 + 2 x M25	1
GW 70 488 M	⊕ 4P	140x165x64	2 x M20 + 2 x M25	1
Rated current (A): 32				
GW 70 434 M	⊕ 2P	140x165x64	2 x M20 + 2 x M25	1
GW 70 435 M	⊕ 3P	140x165x64	2 x M20 + 2 x M25	1
GW 70 435 NM	⊕ 3P+N	140x165x64	2 x M20 + 2 x M25	1
GW 70 436 M	⊕ 4P	140x165x64	2 x M20 + 2 x M25	1
Rated current (A): 40				
GW 70 441 M	⊕ 2P	140x165x64	2 x M20 + 2 x M25	1
GW 70 442 M	⊕ 3P	140x165x64	2 x M20 + 2 x M25	1
GW 70 442 NM	⊕ 3P+N	140x165x64	2 x M20 + 2 x M25	1
GW 70 443 M	⊕ 4P	140x165x64	2 x M20 + 2 x M25	1
Rated current (A): 63				
GW 70 437 M	⊕ 3P	215x252x91	4xM32	1
GW 70 437 NM	⊕ 3P+N	215x252x91	4xM32	1
GW 70 438 M	⊕ 4P	215x252x91	4xM32	1
Rated current (A): 80				
GW 70 489 M	⊕ 3P	215x252x91	4xM32	1
GW 70 489 NM	⊕ 3P+N	215x252x91	4xM32	1
GW 70 490 M	⊕ 4P	215x252x91	4xM32	1
Rated current (A): 100				
GW 70 491 M	⊕ 3P	307x257x121		1
GW 70 491 NM	⊕ 3P+N	307x257x121		1
GW 70 492 M	⊕ 4P	307x257x121		1
Rated current (A): 125				
GW 70 493 M	⊕ 3P	307x257x121		1
GW 70 493 NM	⊕ 3P+N	307x257x121		1
GW 70 494 M	⊕ 4P	307x257x121		1
Rated current (A): 160				
GW 70 495 M	⊕ 3P	307x257x121		1
GW 70 495 NM	⊕ 3P+N	307x257x121		1
GW 70 496 M	⊕ 4P	307x257x121		1

NOTE: can be padlocked in OFF position with max. 3 locks with diameter max. 8 mm.
Versions 100-160A allow to install max. 2 x M63 cable glands.

70 RT HP - ROTARY ISOLATORS FOR AUTOMATION AND DISTRIBUTION BOARDS

VERSIONS FOR BOARDS

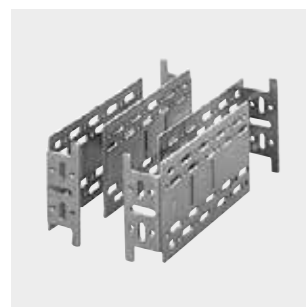


GW 70 001

ISOLATOR SWITCHES FOR DISTRIBUTION BOARD WITH PADLOCKABLE RED/YELLOW KNOB AND CONTROL TRANSMISSION SHAFT

Code	No. of poles	No. of modules EN 50022	Regulation field	Pack Carton
Rated current (A): 16				
GW 70 001	2	4	87-145 mm	1/10
GW 70 002	3	4	87-145 mm	1/10
GW 70 003	4	4	87-145 mm	1/10
Rated current (A): 32				
GW 70 004	2	4	87-145 mm	1/10
GW 70 005	3	4	87-145 mm	1/10
GW 70 006	4	4	87-145 mm	1/10
Rated current (A): 63				
GW 70 007	3	5	114-177 mm	1/5
GW 70 008	4	5	114-177 mm	1/5

CHARACTERISTICS: the regulation field can be obtained by cutting the shaft supplied.



GW 70 009

GALVANIZED STEEL EXTENDING BRACKETS FOR REAR FIXING

Code	For isolator	Regulation field	Pack Carton
Rated current (A): 16			
GW 70 009	16A - 32A - 63A	117-305mm (16-32A) - 144-337mm (63A)	1/10

CHARACTERISTICS: the regulation field can be obtained by cutting both the shaft supplied and the extension brackets at the references shown.

ACCESSORIES SUPPLIED: self-tapping screw kit.

VERSION FOR FIXING ON DIN RAIL



GW 70 203

ISOLATOR SWITCHES FOR DIN RAIL WITH BLACK KNOB

Code	No. of poles	No. of modules EN 50022	Pack Carton
Rated current (A): 16			
GW 70 201	2	4	1/30
GW 70 202	3	4	1/30
GW 70 203	4	4	1/30
Rated current (A): 32			
GW 70 204	2	4	1/24
GW 70 205	3	4	1/24
GW 70 206	4	4	1/24
Rated current (A): 63			
GW 70 207	3	5	1/12
GW 70 208	4	5	1/12

COMPLEMENTARY ITEMS



GW 70 026

AUXILIARY CONTACTS

Code	For isolator	Type of contact	Pack Carton
GW 70 026	16 A - 25 A - 32 A - 40 A - 63 A - 80 A	1 NO + 1 NC	1/12
GW 70 027	16 A - 25 A - 32 A - 40 A - 63 A - 80 A	2 NO	1/12
GW 70 028	16 A - 25 A - 32 A - 40 A - 63 A - 80 A	2 NC	1/12
GW 70 029	100 A - 125 A - 160 A	1 NO + 1 NC	1/12

NOTE: it's possible to install:

- max. 2 (1 x side) aux contacts GW70026/GW70027/GW70028 on isolator up to 80A;
- max. 4 aux contacts GW70029 on isolator 100-125-160A (max 1. contatto ausiliario installabile su sezionatori 160A 4P);
- max. 1 aux contacts GW70029 on isolator 160A.

70 ATEX - DISCONNECTING SWITCHES IN PAINTED ALUMINIUM BOX - ZONE 22 (D)

CONTROL VERSIONS IN ALUMINIUM ALLOY BOX



GW 70 451

ATEX ROTARY WALL-MOUNTING SWITCHES FOR CONTROL, WITH BLACK KNOB - IP65

Code	No. of poles	Power AC3 400V (kW)	Outer dim. LxHxD (mm)	Pack Carton
Rated current (A): 16				
GW 70 451	2	6 (230V)	140x165x135	1
GW 70 452	3	10	140x165x135	1
GW 70 453	4	10	140x165x135	1
Rated current (A): 32				
GW 70 454	2	9 (230V)	140x165x135	1
GW 70 455	3	15	140x165x135	1
GW 70 456	4	15	140x165x135	1
Rated current (A): 63				
GW 70 457	3	18.5	140x165x135	1
GW 70 458	4	18.5	140x165x135	1
Rated current (A): 100				
GW 70 459	3	30	215x252x94	1
GW 70 460	4	30	215x252x94	1

ACCESSORIES SUPPLIED: cable gland M25 for 16A versions, M32 for 32A versions, and M40 for 63-100A.

CHARACTERISTICS: box in aluminium alloy painted in Grey RAL 7037.

ATEX Classification: Equipment-group II Category 3D.

Dust protection mode: tc.

Room temperature: -20°C <= Ta <= +40 °C.

NOTES: Can be padlocked with 3 locks in the OFF position and one in the ON position.

EMERGENCY VERSIONS IN ALUMINIUM ALLOY BOX



GW 70 471

ATEX ROTARY WALL-MOUNTING SWITCHES FOR EMERGENCY, WITH RED KNOB - IP65

Code	No. of poles	Power AC3 400V (kW)	Outer dim. LxHxD (mm)	Pack Carton
Rated current (A): 16				
GW 70 471	2	6 (230V)	140x165x135	1
GW 70 472	3	10	140x165x135	1
GW 70 473	4	10	140x165x135	1
Rated current (A): 32				
GW 70 474	2	9 (230V)	140x165x135	1
GW 70 475	3	15	140x165x135	1
GW 70 476	4	15	140x165x135	1
Rated current (A): 63				
GW 70 477	3	18.5	140x165x135	1
GW 70 478	4	18.5	140x165x135	1
Rated current (A): 100				
GW 70 479	3	30	215x252x94	1
GW 70 480	4	30	215x252x94	1

ACCESSORIES SUPPLIED: cable gland M25 for 16A versions, M32 for 32A versions, and M40 for 63-100A.

CHARACTERISTICS: box in aluminium alloy painted in Grey RAL 7037.

ATEX Classification: Equipment-group II Category 3D.

Dust protection mode: tc.

Room temperature: -20°C <= Ta <= +40 °C.

NOTES: Can be padlocked with 3 locks in the OFF position.

70 RT HP - ROTARY ISOLATOR SWITCHES

Isolator switches for continuous operation, in version for emergency or for control, assembled in boards and in watertight boxes.

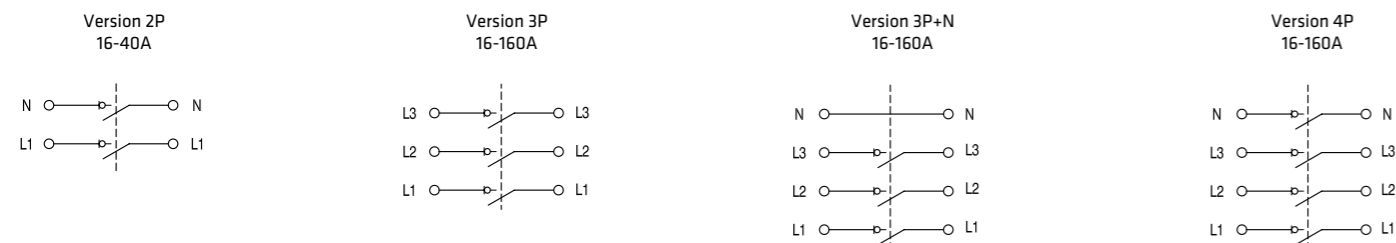
Complying with standard EN 60947-3.

Electrical data

Rated current			16A	25A	32A	40A	63A	80A	100	125	160
Rated insulation voltage Ui		VAC	690	690	690	690	690	690	1000	1000	1000
Rated impulse withstand voltage Uimp		kV	4	4	4	4	4	4	8	8	8
Thermal current Ith/Ithe		A	16	25	32	40	63	80	100	125	160
Rated operational current IEC	AC21A Resistive loads, including moderate overloads	415V A	16	25	32	40	63	80	100	125	160
		500V A	16	25	32	40	63	80	100	125	160
	AC22A Mixed resistive and inductive loads, including moderate overloads	415V A	16	25	32	40	63	80	100	125	160
		500V A	16	25	32	40	63	80	100	125	160
	AC23A Switching of motor loads or other highly inductive loads (3 phases/3 poles)	415V A	16	25	32	40	63	80	100	125	125
		500V A	16	25	32	40	63	80	80	100	100
	AC3 Squirrel-cage motor: starting, switching off motor during running (3 phase / 3 pole)	415V A	16	25	32	32	63	63	100	125	125
		500V A	16	25	25	25	50	50	80	100	100
Rated short time withstand current Icw (1s)		A	160	250	320	400	630	800	2500	2500	2500
Conditional short circuit current		415V KAeff	10	10	10	10	6	6	50	50	50
		500V KAeff	6	6	6	6	6	6	50	50	50
Associate fuse size for conditional short circuit current - Type gG		A	16	25	32	40	63	80	100	125	160
WIRING*											
Tightening torque		Nm	1			3			6		
Max. flexible wire		mm ²	1 ÷ 10			2,5 ÷ 25			4 ÷ 70		
Max. rigid wire		mm ²	1 ÷ 10			2,5 ÷ 25			4 ÷ 70		

* The surface of the wiring terminals is knurled to improve the grip of the stripped cable inserted into the terminal and to facilitate wiring operations.

Wiring diagram



BEHAVIOUR WITH CHEMICAL AND ATMOSPHERIC AGENTS

Saline solution	Acids		Bases		Solvents				Mineral oil	UV rays
	Concentrated	Diluted	Concentrated	Diluted	Hexane	Benzol	Acetone	Alcohol		
Resistant	Limited resistance	Resistant	Not resistant	Limited resistance	Limited resistance	Not resistant	Not resistant	Resistenza limitata	Resistant	Resistant

Mechanical data - Surface mounting isolator in plastic boxes

In (A)		16	25	32	40	63	80	100	125	160	
Poles	2P	x	x	x	x						
	3P	x	x	x	x	x	x	x	x	x	
	3P+N	x	x	x	x	x	x	x	x	x	
	4P	x	x	x	x	x	x	x	x	x	
Degree of protection		IP66/IP67/IP69									
Impact resistance		IK08									
Protection against indirect contact		double insulation <input type="checkbox"/>									
Thermo-pressure with ball (°C)		125 (device); 80 (box)									
Glow Wire Test (°C)		960 (device); 650 (box)									
Range of temperature (°C)		-25; +60									
Housable auxiliary contacts		Max. 2 (1 per sides)					Max. 4* (2 per sides)				
Holes entry	Upper sides	2 x M20/M25			2 x M25/M32		-				
	Lower sides	2 x M20/M25			2 x M25/M32		-				
Knob position	Open - OFF position		Close - ON position			Open - OFF position		Close - ON position			

(* For version 160A 4P the max number of auxiliary contact that can be housable is 1.

Mechanical data - Surface mounting isolator in metal boxes

In (A)		16	25	32	40	63	80	100	125	160	
Poles	2P	x	x	x	x						
	3P	x	x	x	x	x	x	x	x	x	
	3P+N	x	x	x	x	x	x	x	x	x	
	4P	x	x	x	x	x	x	x	x	x	
Degree of protection		IP66									
Impact resistance		IK10 (box); IK08 (knob)									
Thermo-pressure with ball (°C)		80 (knob)									
Glow Wire Test (°C)		650 (knob)									
Range of temperature (°C)		-25; +60									
Housable auxiliary contacts		Max. 2 (1 per sides)					Max. 4* (2 per sides)				
Holes entry	Upper sides	2 x M20	2 x M20		2 x M32		-				
	Lower sides	2 x M20	2 x M25		2 x M32		-				
Knob position	Open - OFF position		Close - ON position			Open - OFF position		Close - ON position			

(* For version 160A 4P the max number of auxiliary contact that can be housable is 1.

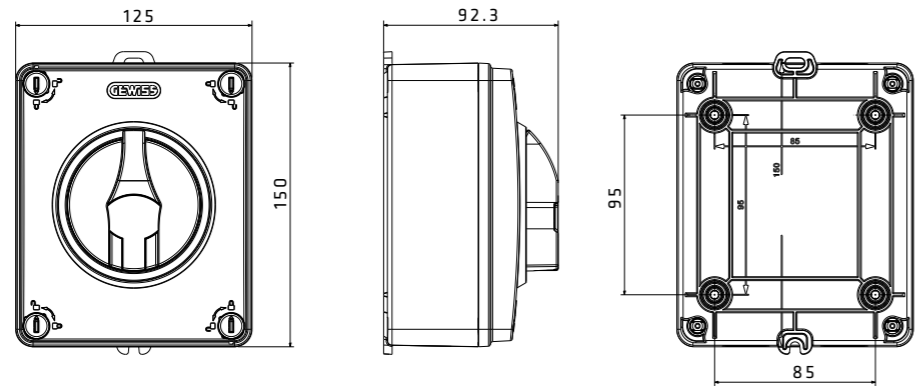
Auxiliary Contacts

TECHNICAL DATA	
Type: Auxiliary contacts NO or NC	Thermal curren in Air (Ith): 16A
IP Degree: IP20	Thermal curren in Boxes (Ithe): 10A
Range of temperature (°C): -25; +60	Rated insulation voltage (Ui): 400 V
Pollution Degree: 2	Rated impulse withstand voltage (Uimp): 4 kV
Thermo-pressure with ball (°C): 125	Category of uses AC15: 6A (230V)
Glow Wire Test (°C): 960	3A (380V)
Tightening torque: 0,8 Nm	Conditional short circuit current (Icc - 400 V): 1 kA
Range of wiring: 2 x 2,5 mm2 (MAX.) / 1 x 0,75 mm2 (MIN.)	Associate fuse size for conditional short circuit current - Type gG: 6A

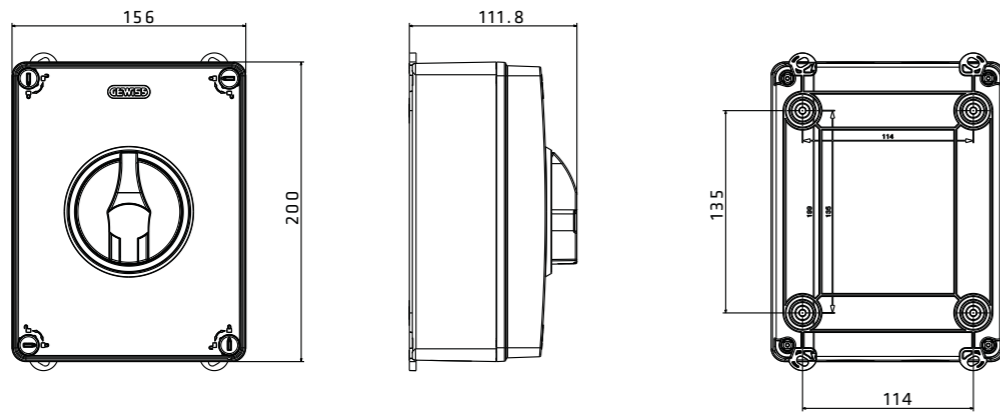
Dimension tables

SURFACE-MOUNTING ISOLATOR IN PLASTIC BOXES

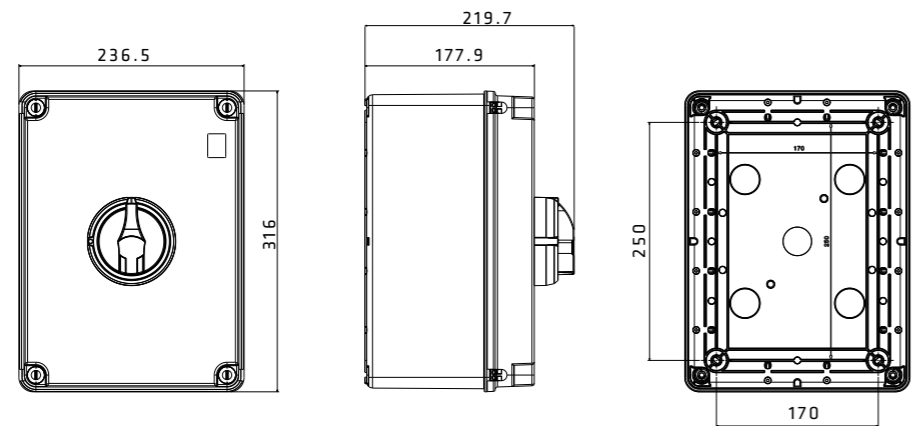
ISOLATOR 16 - 25 - 32 - 40A



ISOLATOR 63 - 80A



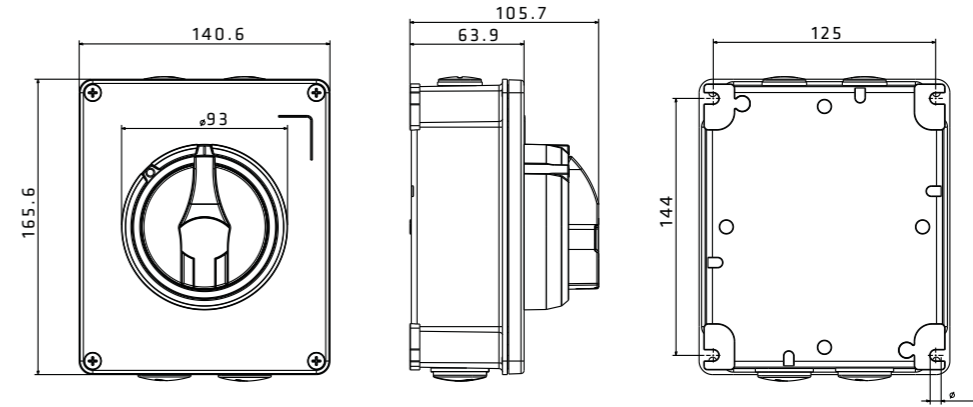
ISOLATOR 100 - 125 - 160A



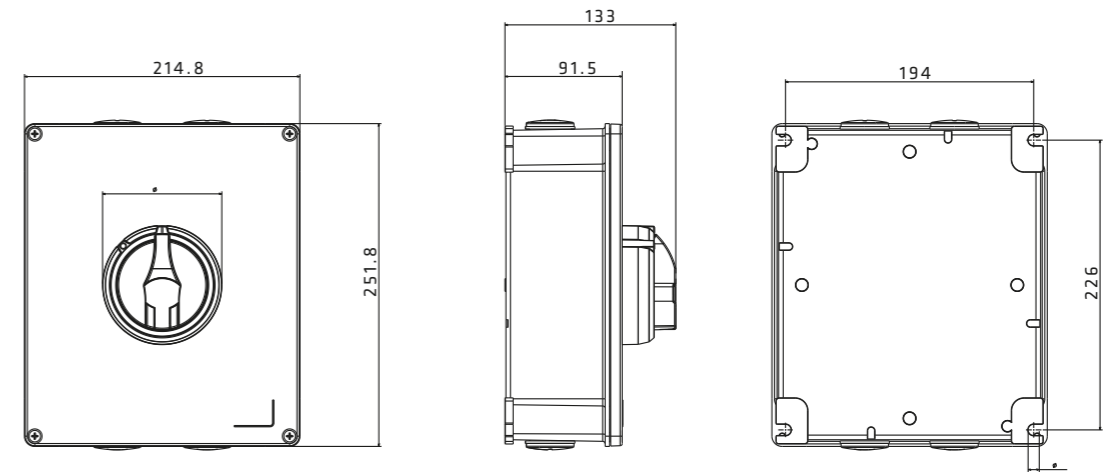
Dimension tables

SURFACE-MOUNTING ISOLATOR IN METALLIC BOXES

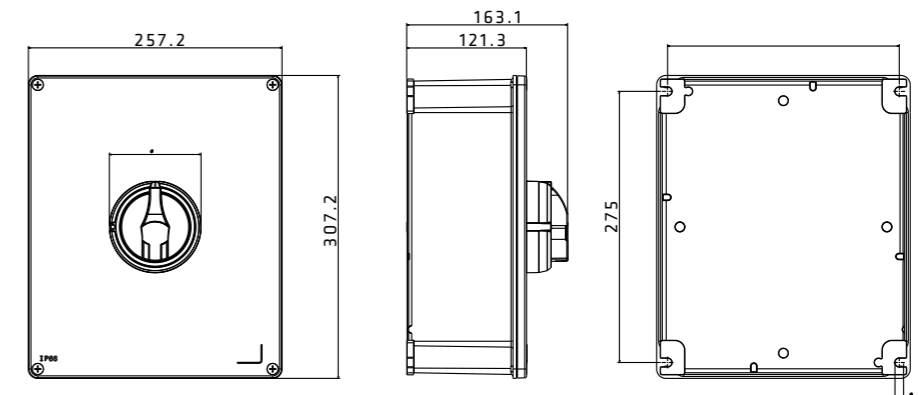
ISOLATOR 16 - 25 - 32 - 40A



ISOLATOR 63 - 80A

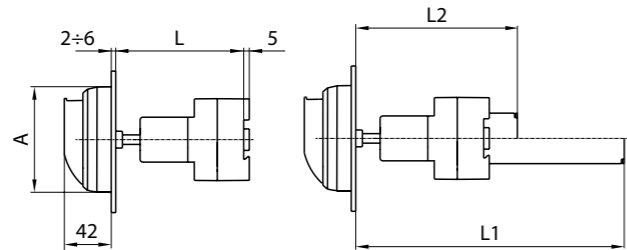


ISOLATOR 100 - 125 - 160A



Dimension tables

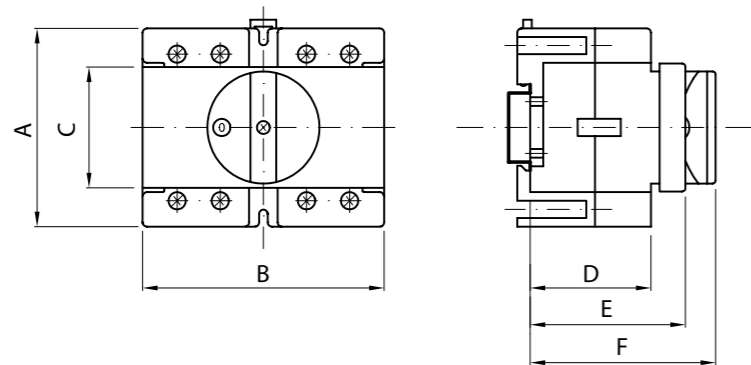
BOARD-MOUNTING ISOLATOR: DOOR-LOCKING VERSION



One-way switch	WITHOUT BRACKETS		WITH BRACKETS		A
	Supplied with L	Adjustable up to L*	L1 max length obtainable	L2 min length obtainable**	
16A - 32A	145	87	(145+160) 305	(87+30) 117	ø 94
63A - 80A	177	114	(117+160) 337	(114+30) 144	ø 94

* Position obtainable by cutting the shaft supplied.
 ** Position obtainable by cutting both the shaft supplied, and the brackets, in the points shown.

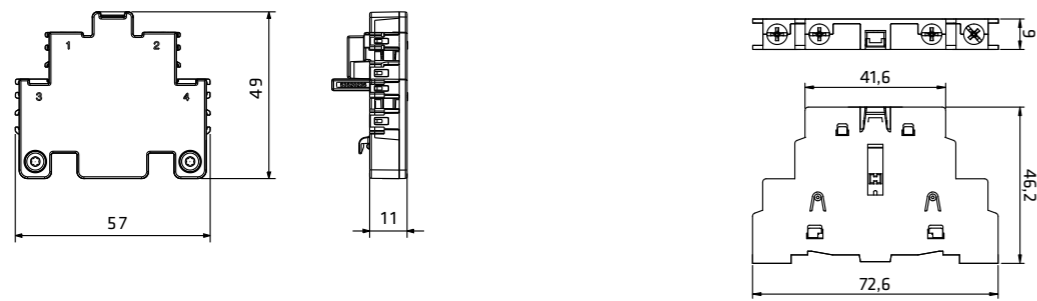
BOARD-MOUNTING ROTARY SWITCH: VERSION FOR ASSEMBLY ON DIN RAIL EN 50022



Tipo	A	B	C	D	E	F
16 - 32A	55	71 ●	45	37	53	68
63 A	73	89 ▲	45	44	56	68

★ Occupies 3 modules (17.5mm). ● Occupies 4 modules (17.5mm). ▲ Occupies 5 modules (17.5mm).

AUXILIARY CONTACT



For isolator 16 - 25 - 32 - 40 - 63 - 80A

For isolator 100 - 125 - 160A

70 RT ATEX DISCONNECTORS - METAL BOX

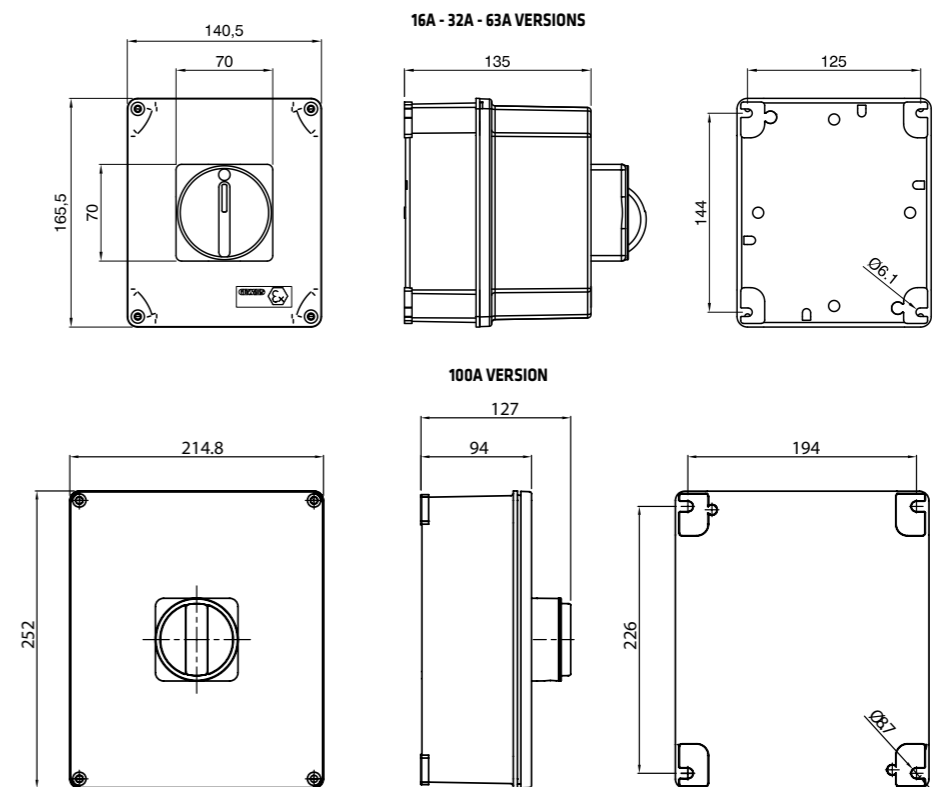
Switch disconnectors for command and emergency in aluminium box painted in Grey Ral 7037, suitable for use in **ZONE 22(D)** with rated current of 16-32-63-100A. Standard: EN 60947-3, EN 61241-0, EN60079-0, EN60079-31 - Dir. ATEX 94/9/CE.

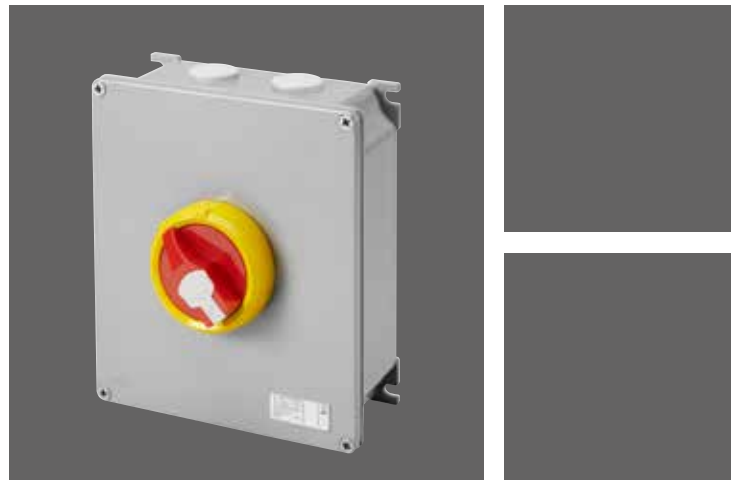
TECHNICAL DATA					16A	32A	63A	100A
Vn insulation	Ui (IEC947-3)		V		800			
Vn of impulse withstand	Uimp (IEC947-3)		kV		8			
In thermal	In air	Ith (IEC947-3)	A		25	40	63	100
	In box	Ithe (IEC947-3)	A		16	32	63	95
In use	AC21A	Ie (IEC947-3)	400V	A	16	32	63	95
	AC22A		400V	A	16	32	63	95
Max power with three-phase motors	AC23A	IEC947-3	400V	kW	7	14	28	42
In short lifespan		Icw		A	400	800	1500	1500
In cond. of short-circuiting		IEC947-3		kAeff	10	10	15	15
CONNECTABLE SECTIONS								
Rigid cables	min-max	mm ²			1,5-16	1,5-16	2,5-35	10-70
		AWG			16-6	16-6	14-3	8-00
Flexible cables	min-max	mm ²			1,5-16	1,5-16	2,5-35	10-70
		AWG			16-6	16-6	14-3	8-00
CONDITIONS OF USE								
Ambient temperature		of storage	°C		-30; +70			
		of operation	°C		-25; +55			

Note: for the behaviour with chemical and atmospheric agents, contact SAT Customer Service (+ 39 035/946111).

Dimension tables

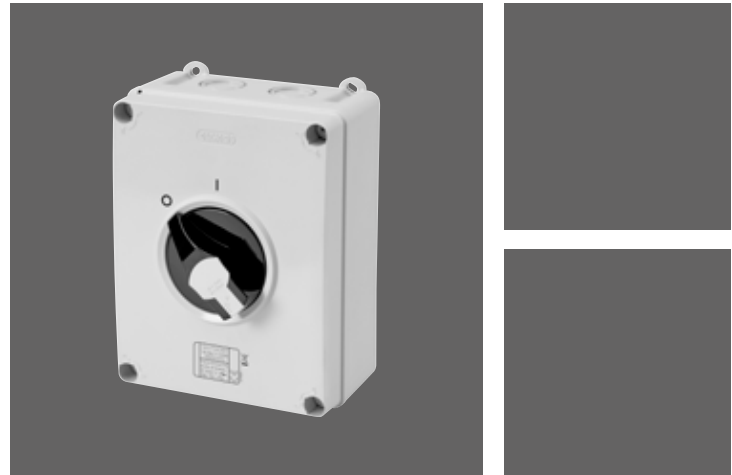
SWITCH DISCONNECTORS FOR COMMAND AND EMERGENCY





GEWISS

Visit www.gewiss.com and follow us on:



GEWISS S.p.A.

Registered Office: Via A. Volta, 1
24069 CENATE SOTTO BG - Italy
T. +39 035 946 111 - F. +39 035 945 222
gewiss@gewiss.com - www.gewiss.com

Sole Shareholder Company - Bergamo Register of Companies/VAT/Tax Code (IT) 00385040167
REA 107496 - Share capital 60,000,000.00 EUR fully paid up.

PB 22/480 EN - 08.18

