

Energy and data distribution boards for protected, watertight, domestic and industrial socket-outlets. Can be used in the commercial and industrial sectors, and in construction sites.

## Technical data and compliance with Standards

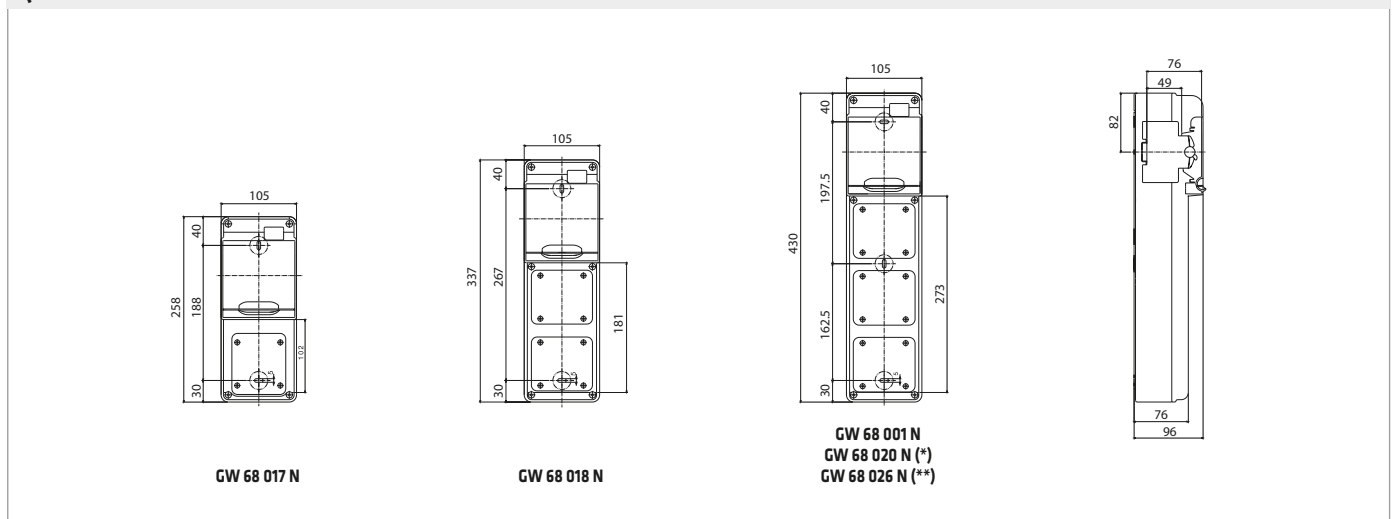
Board type	Reference Standards	Degree of protection (IP)	Protection against indirect contacts	Impact resistance at ambient temperature (IK code)	Heat resistance	Resistance to abnormal heat and fire
					Thermo-pressure with ball (°C)	Glow Wire Test (°C)
Q-DIN 5-10-14-20 empty	EN 60670-1 EN 60670-24 EN 62208	IP 65	☐	IK 08 (empty version IK09)	70	650
Q-DIN 5-10-14-20 factory-wired (DBO)	EN 61439-3	IP 44 / IP 65		IK 09 (external case) IK 08 (domestic sockets)		850 (active parts) 650 (passive parts)

### BEHAVIOUR WITH CHEMICAL AND ATMOSPHERIC AGENTS

Saline solution	Acids		Bases		Solvents				Mineral oil	UV rays
	Concentrated	Diluted	Concentrated	Diluted	Hexane	Benzol	Acetone	Alcohol		
Resistant	Limited resistance	Resistant	Resistant	Resistant	Limited resistance	Not resistant	Not resistant	Limited resistance	Limited resistance	Limited resistance

## Dimension tables

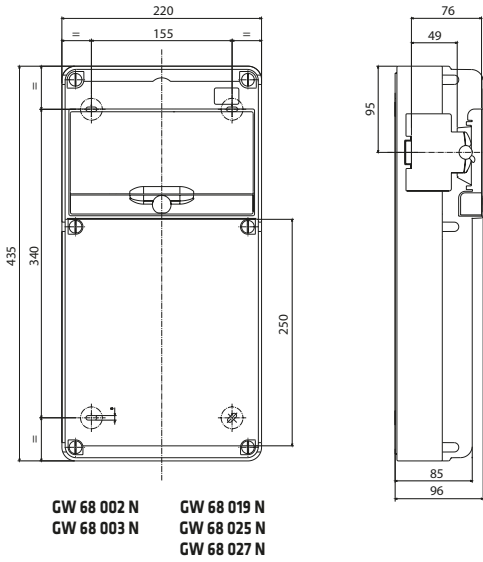
### Q - DIN 5 BOARDS



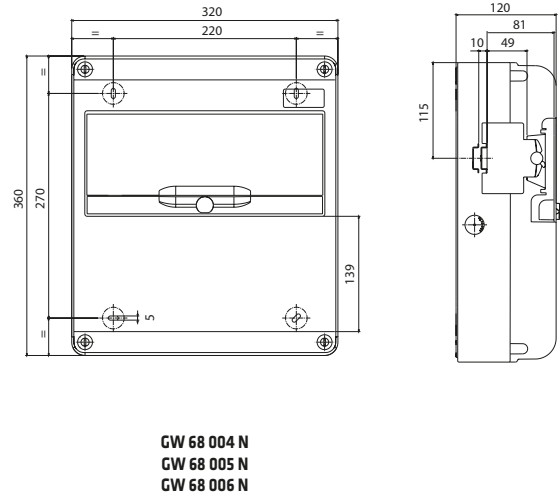
(\*) GW68020N can house 2 IEC 16/32A.

(\*\*) GW68026N can house 4 50x50 mm socket outlet.

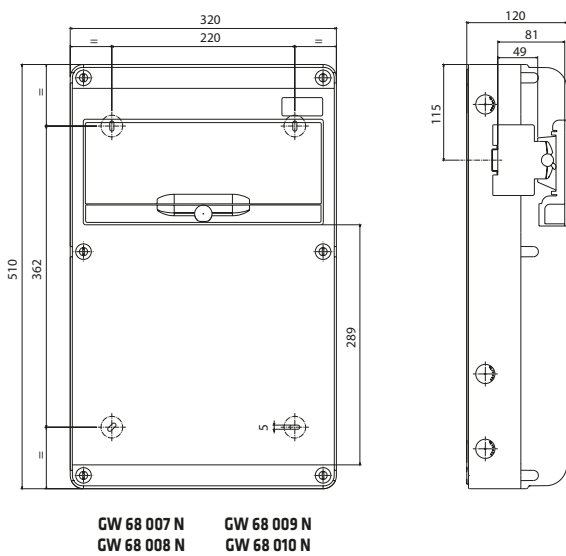
## Q - DIN 10 BOARDS



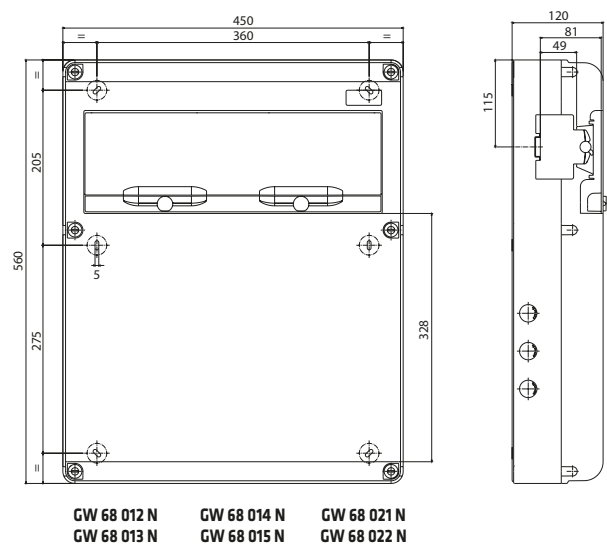
## Q - DIN 14 BOARDS



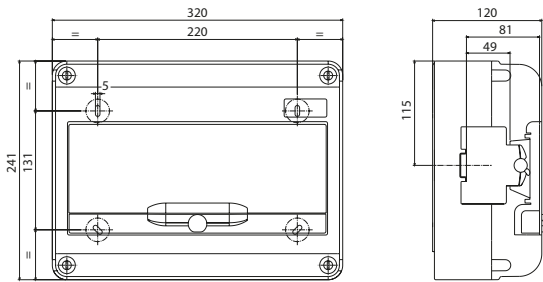
## Q - DIN 14 BOARDS



## Q - DIN 20 BOARDS

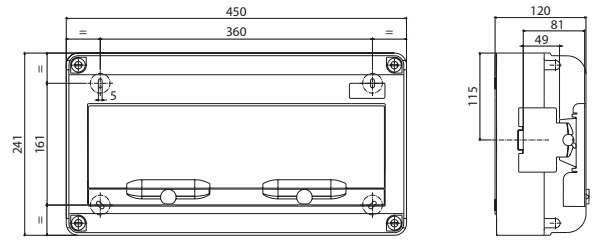


## ADDITIONAL 14M MODULE



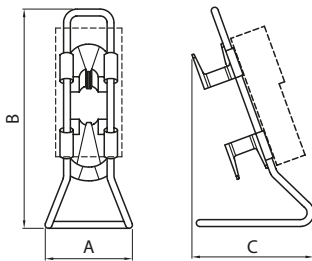
GW 68 023 N

## ADDITIONAL 20M MODULE



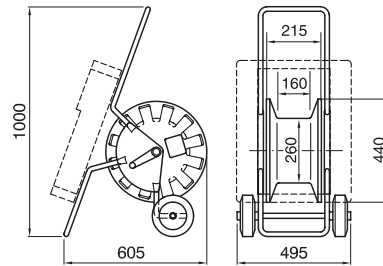
GW 68 024 N

## SUPPORT FOR Q - DIN



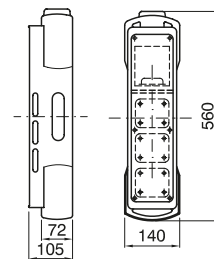
CODE	FOR Q-DIN	A	B	C
GW 68 431	10	350	715	435
GW 68 433	14-20	350	964	520

## SUPPORT FOR Q - DIN 14 AND 20



GW 68 432

## SHOCKPROOF CASING FOR Q - DIN 5 WATERTIGHT BOARDS



FOR  
Q-DIN 5 BOARDS

GW 68 001 N

GW 68 224 N

GW 68 217 N

GW 68 031 N

GW 68 223 N